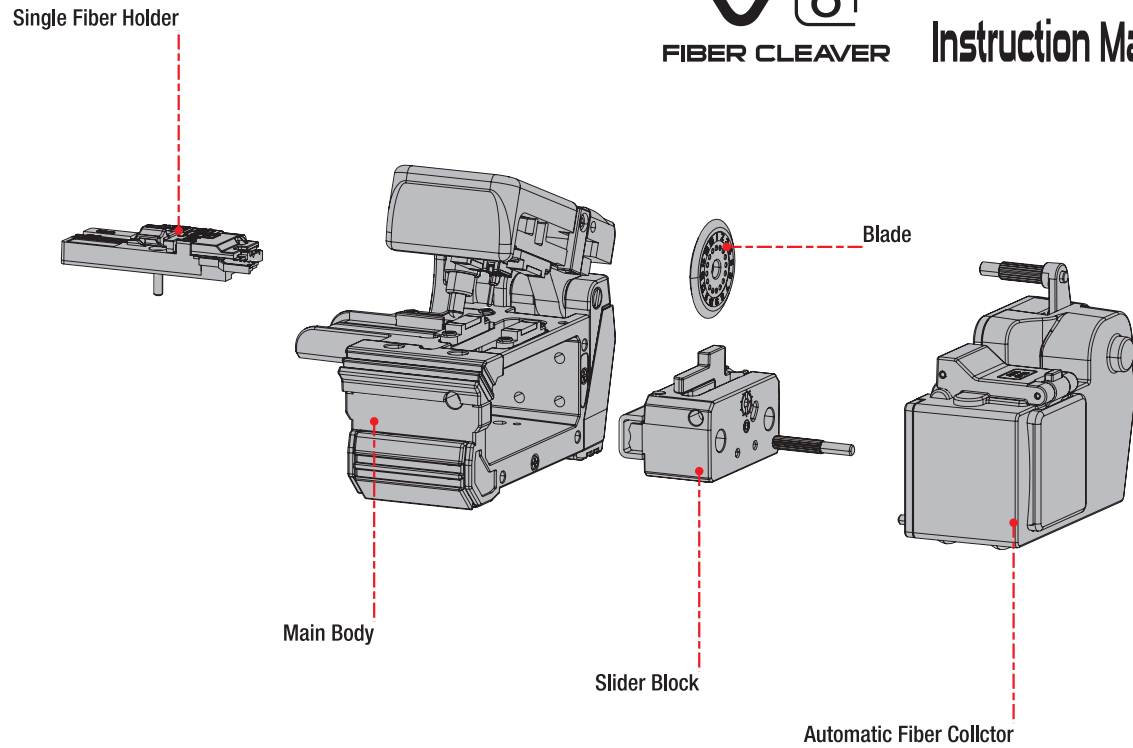
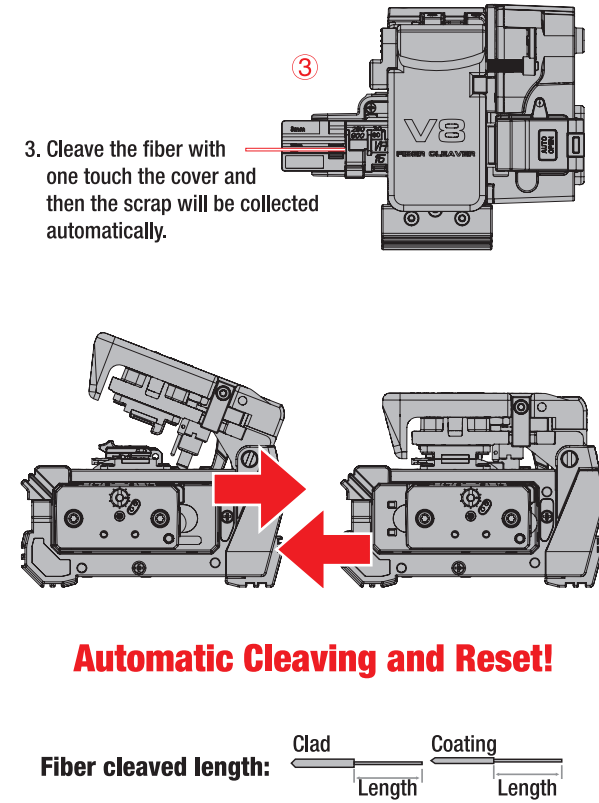
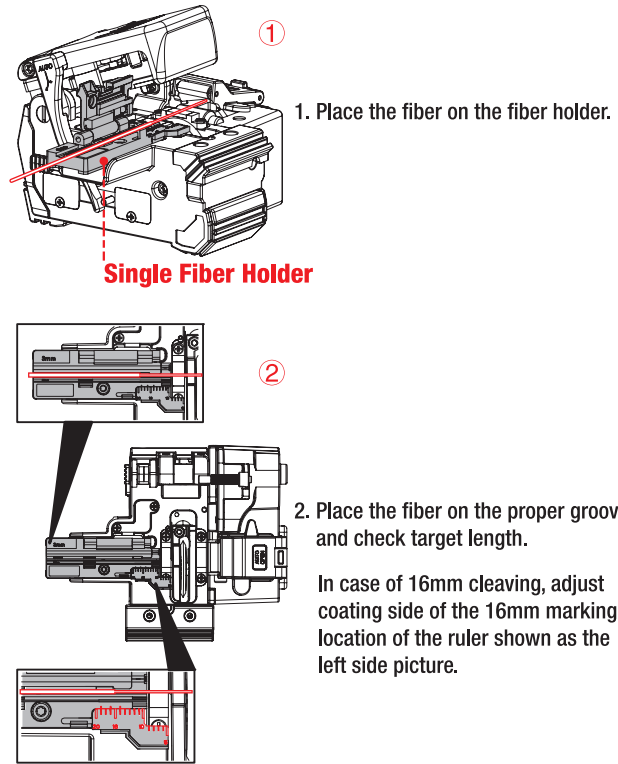


V8 FIBER CLEAVER Instruction Manual V0.01



Operating procedure



Safety warnings and precaution

Thank you for choosing V8. In order to use V8 properly, be well aware of this manual before use.

Warnings, if do not follow this manual, user might get injured or damaged on product.

Precaution:

1. Disassemble or put oil on main body might occur damage on the product.
2. Drop or percussion might damage the product.
3. Do not touch the blade with finger to avoid injury and damage on the blade.
4. Fiber and scrap are able to be dangerous, Clean up immediately.
5. Properly place the fiber debris, prepare bin for fiber scrap.
6. If there is any problem in use, stop operating and contact INNO Instrument Service Center.

INNO INSTRUMENT, Inc.
 65-3 Sangdaewon-dong, Jungwon-gu,
 Seongnam-si, Gyeonggi-do 462-807,
 Republic of Korea
 Tel: +82 31 742 8755
 Fax: +82 31 742 8799
 Email: info@innoinstrument.com
 www.innoinstrument.com

Product Overview

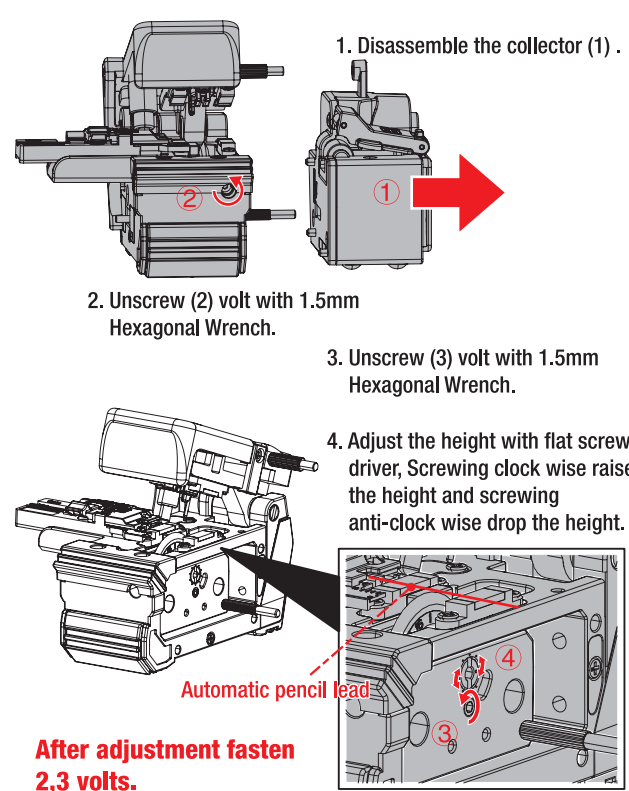
Stripped fiber diameter	125µm
Number of Core	Single(Φ0.25&0.9mm)up to 12 Ribbons
Cleaved length	10mm
Dimensions	95(W)X76(D)X60(H)
Weight	286g

Cleaver	1
Product Warranty	1
Instruction Manual	1
M2 Wrench	1
Carrying Case	1
Case	1

Optional Accessory

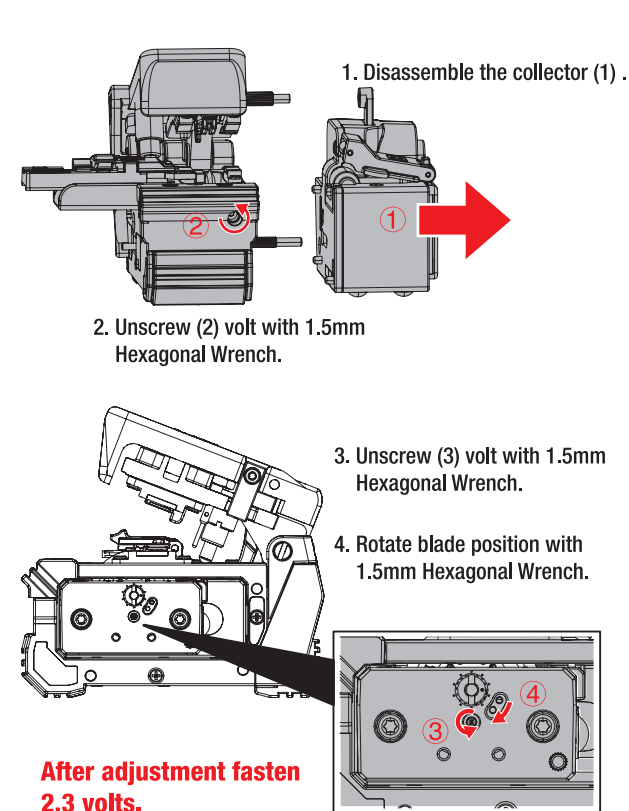
Blade	B77
Fiber Holder	FH-SOC FH-12R
Automatic Fiber Collector	V8-T

Blade height adjustment



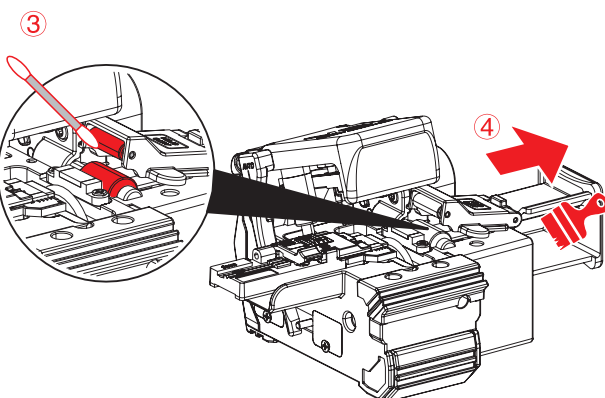
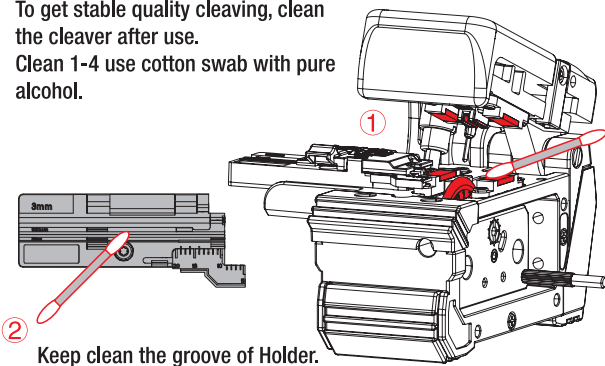
Caution: When you adjust the height of blade, use soft-wooden Bar as standard point to check blade height.

Blade position adjustment



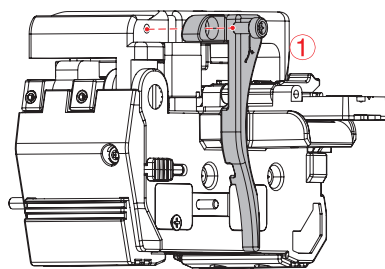
Maintenance

To get stable quality cleaving, clean the cleaver after use.
Clean 1-4 use cotton swab with pure alcohol.

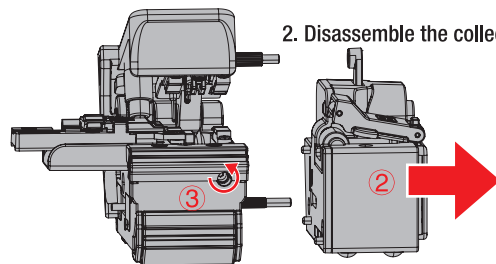


Blade Replacement

1. Unscrew volt with T8 screw driver and disassemble the lever.



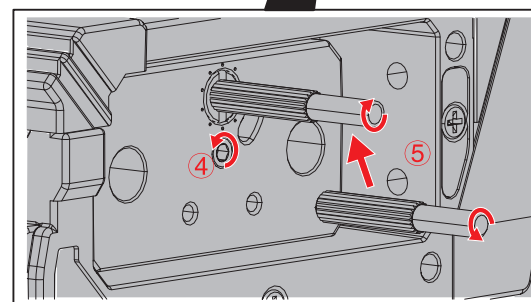
2. Disassemble the collector (2).



3. Unscrew (3) volt with 1.5mm Hexagonal Wrench.

4. Unscrew (4) volt with 1.5mm Hexagonal Wrench.

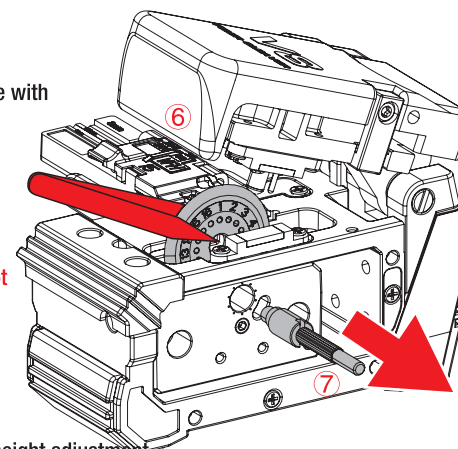
5. Take out lever (5) and put it on height adjustment position.



6. Hold blade with tweezers.

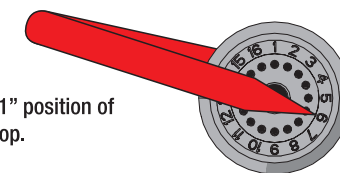


Be careful the blade does not get damaged!



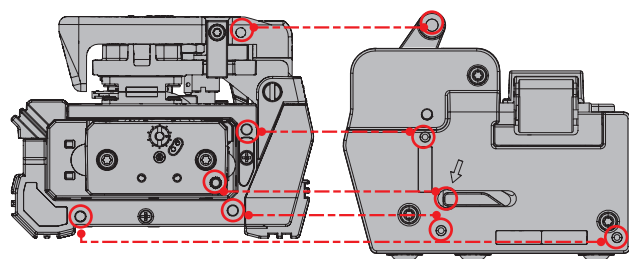
7. Take out height adjustment volt and remove blade shown as picture.

8. Make sure "1" position of blade is on top.

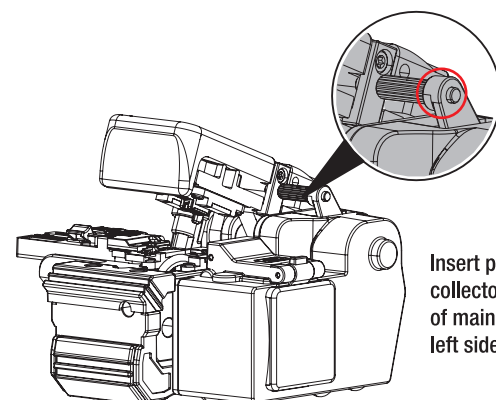


After adjustment, reassemble as 6-7-4-3-1-5 procedure and operate test. (Make sure fasten 4,3,5 position)

Fiber Collector Assembly

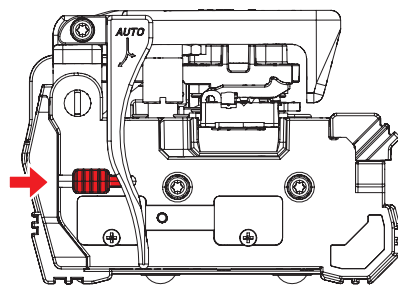


In order to reassemble fiber collector, make 5 place on both side match each other.

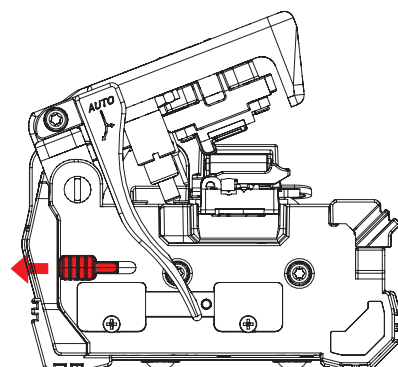


Insert pointed lever of collector into the hole of main body shown as left side picture.

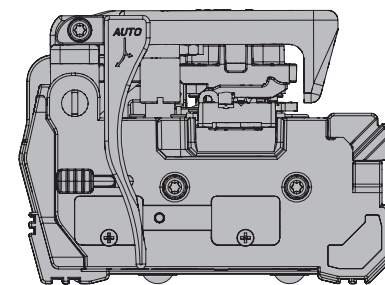
Cleaver Lock



Lock

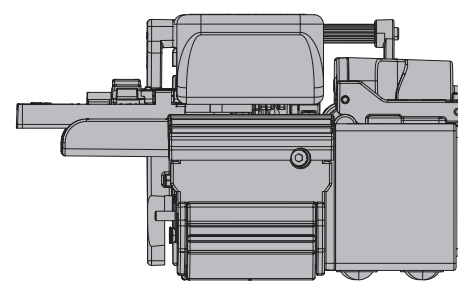


Unlock



76mm

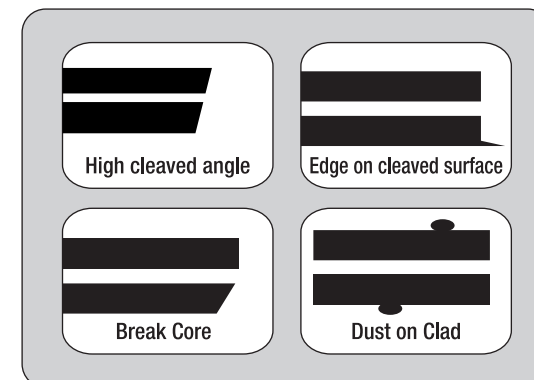
60mm



95mm

60mm

Trouble Shooting



Cleaving problem might occurred by these reasons:

1. Improperly place the fiber.
-- Place fiber properly and straightly.
2. The height of blade is too high.
-- Adjust the height of blade.
3. Dust on holder or clamp.
-- Clean holder and clamp.
4. Dust on the fiber.
-- Restripping and clean the fiber with alcohol.

If you have problem in use, please contact INNO Instrument Local Distributors.